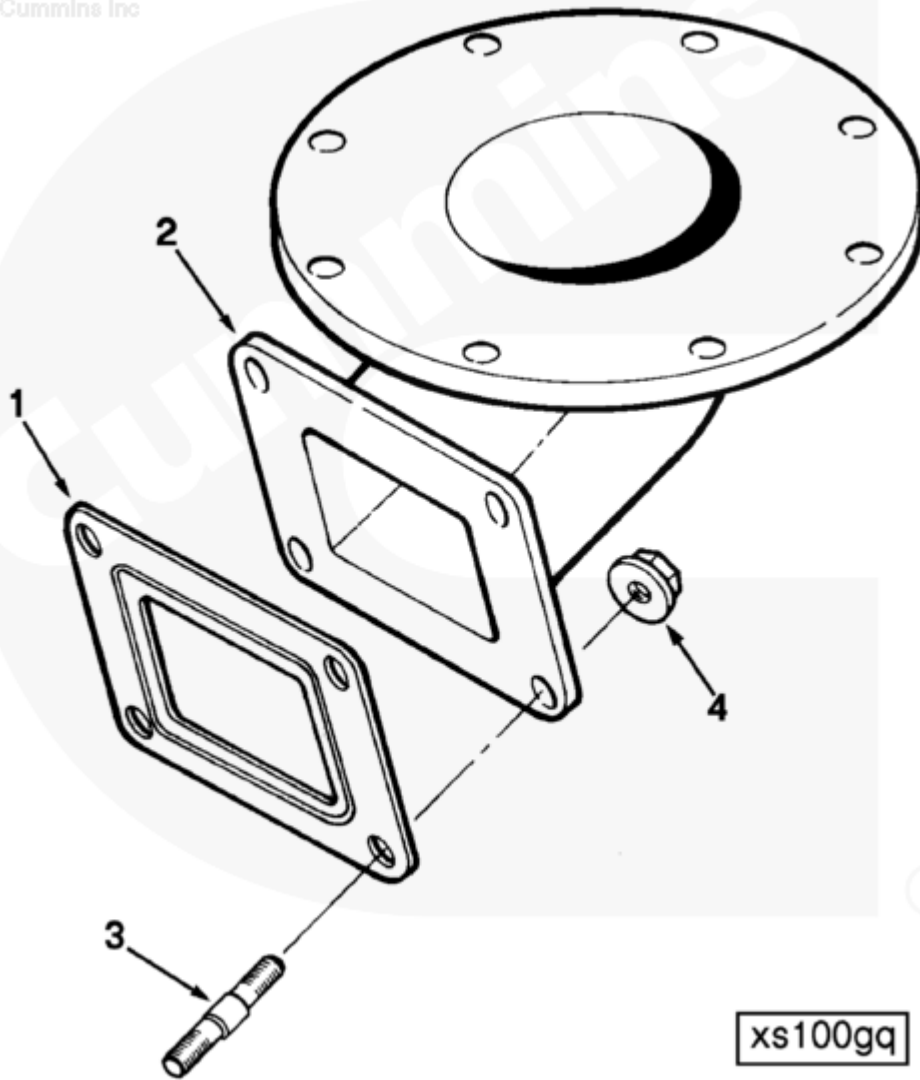




Parts Catalog - Option Detail

Electronic Parts Catalog - Option Detail				
Option	Group	Graphic	Film Card	Date
XS8044	11.01.1	xs100gq	F	07-DEC-89
Engines	NH/NT 855, NT495, NT743, NTA855 N106			

©Cummins Inc



SMALL | MEDIUM | LARGE

Cart	Ref No	Part Number	Part Description	Required	Remarks
View My Cart					
		XS8044	Exhaust Connection		This exhaust outlet...(More)
					adapter mates to water

					cooled 855 series,
					naturally aspirated exhau
					manifold and has outlet
					flange, 8inch (203mm) O.D
					4.5inch (114mm) I.D., wit
					eight holes, 7/16 (11mm)
					dia. on 7.19inch (183mm).
					Big Cam outlet is
					vertical. Compatible with
					flange type flexible
					exhaust tubing. (Option
					XS8029).
<input type="checkbox"/>	1	190849	Exhaust Collector Gasket	1	
<input type="checkbox"/>	2	3019972	Exhaust Outlet Connection	1	
<input type="checkbox"/>	3	3056155	Double End Plain Stud	4	3/8 - 16 x 3/8 - 24 UNF
<input type="checkbox"/>	4	3056158	Hexagon Flange Nut	4	Reference TSB100603.